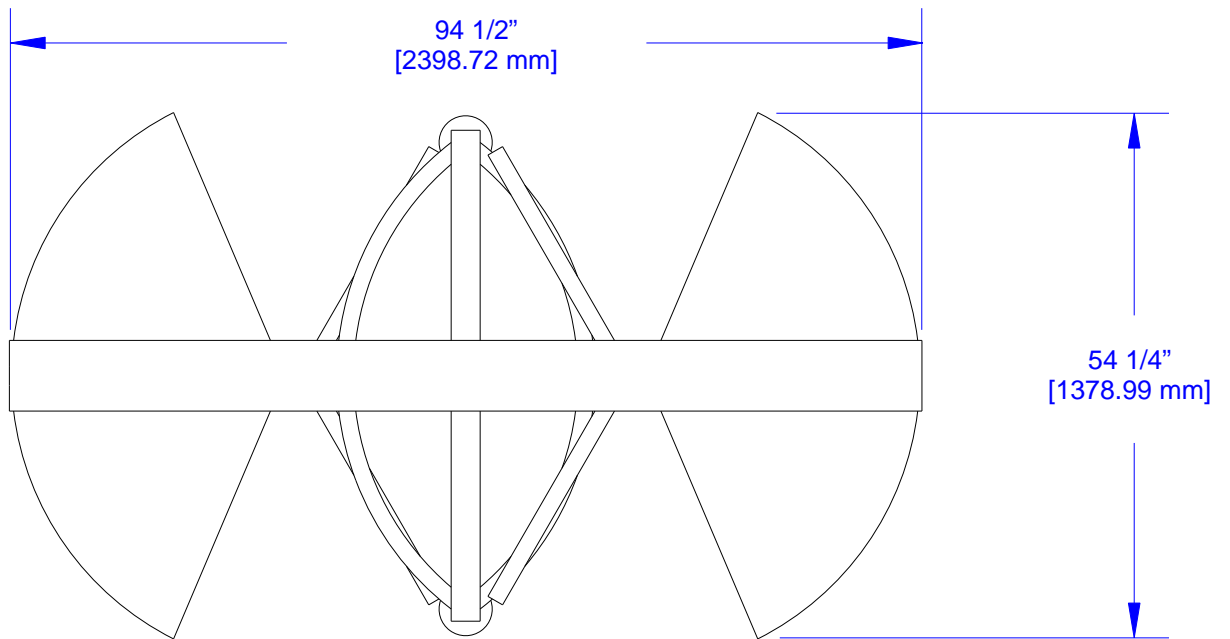
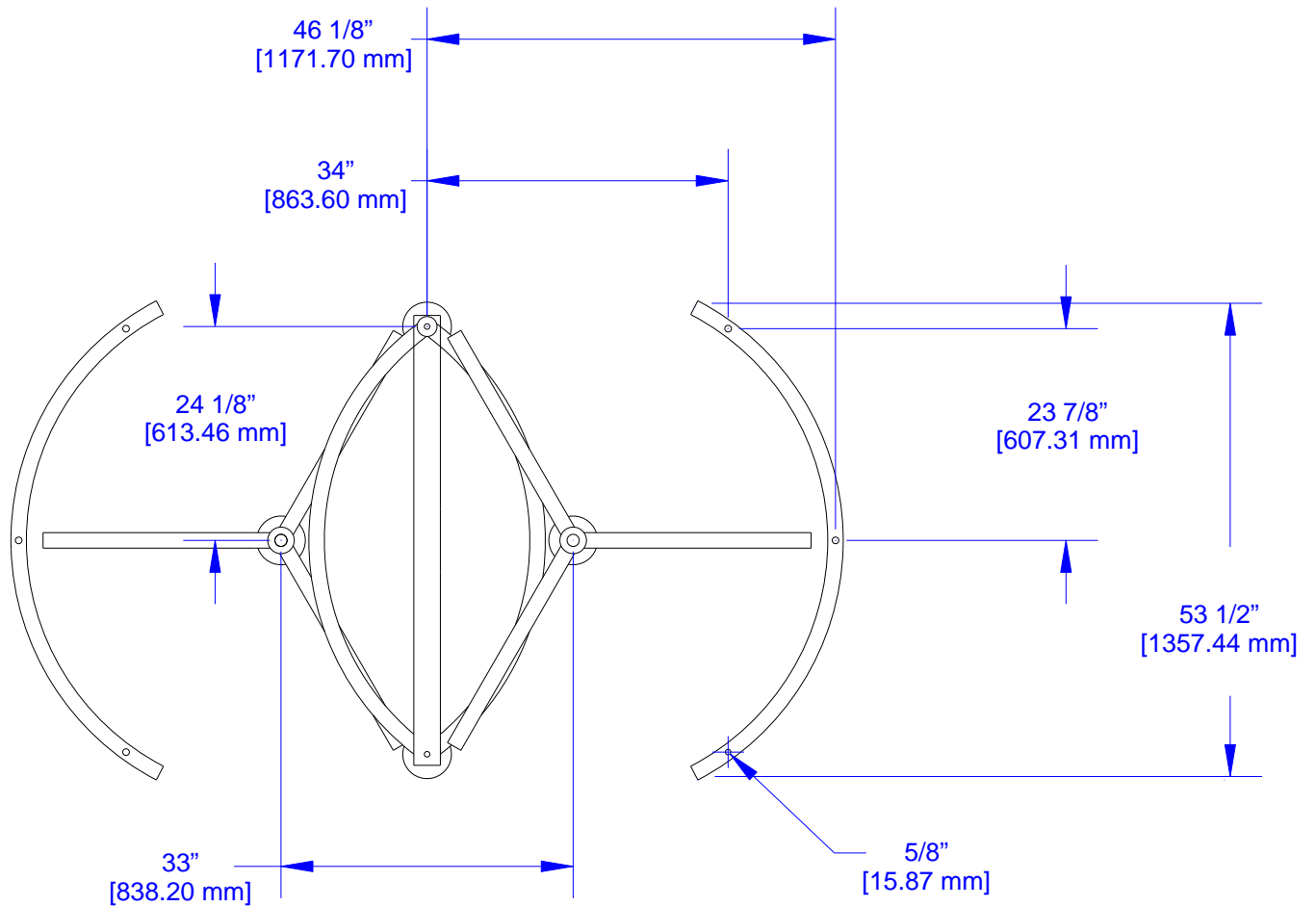


ELEVATION VIEW



PLAN VIEW



ANCHORING PATTERN