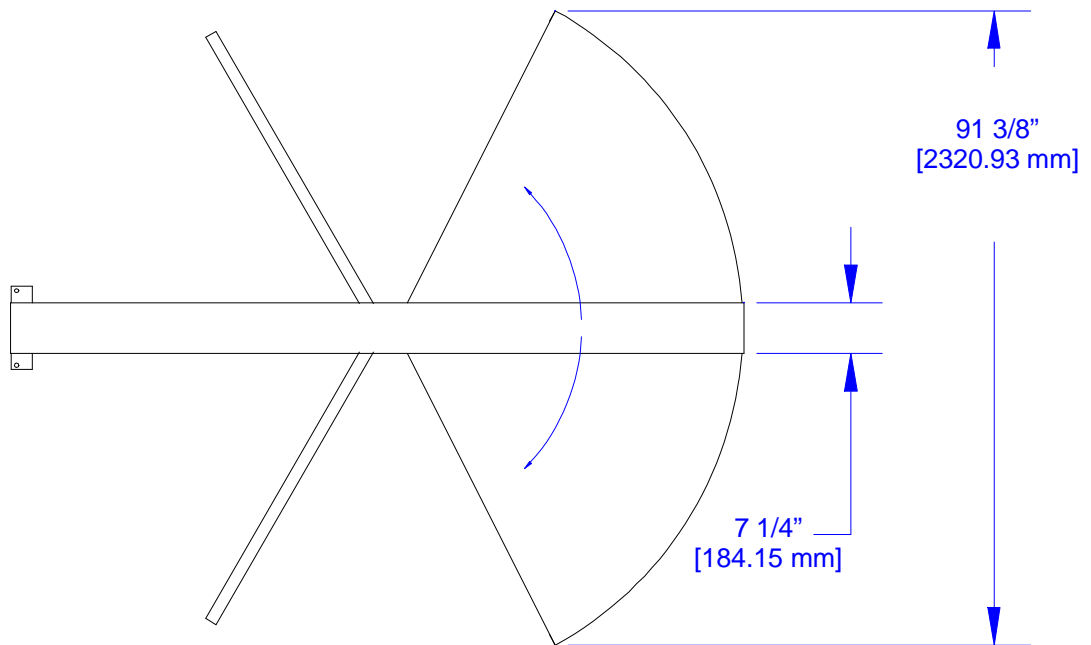
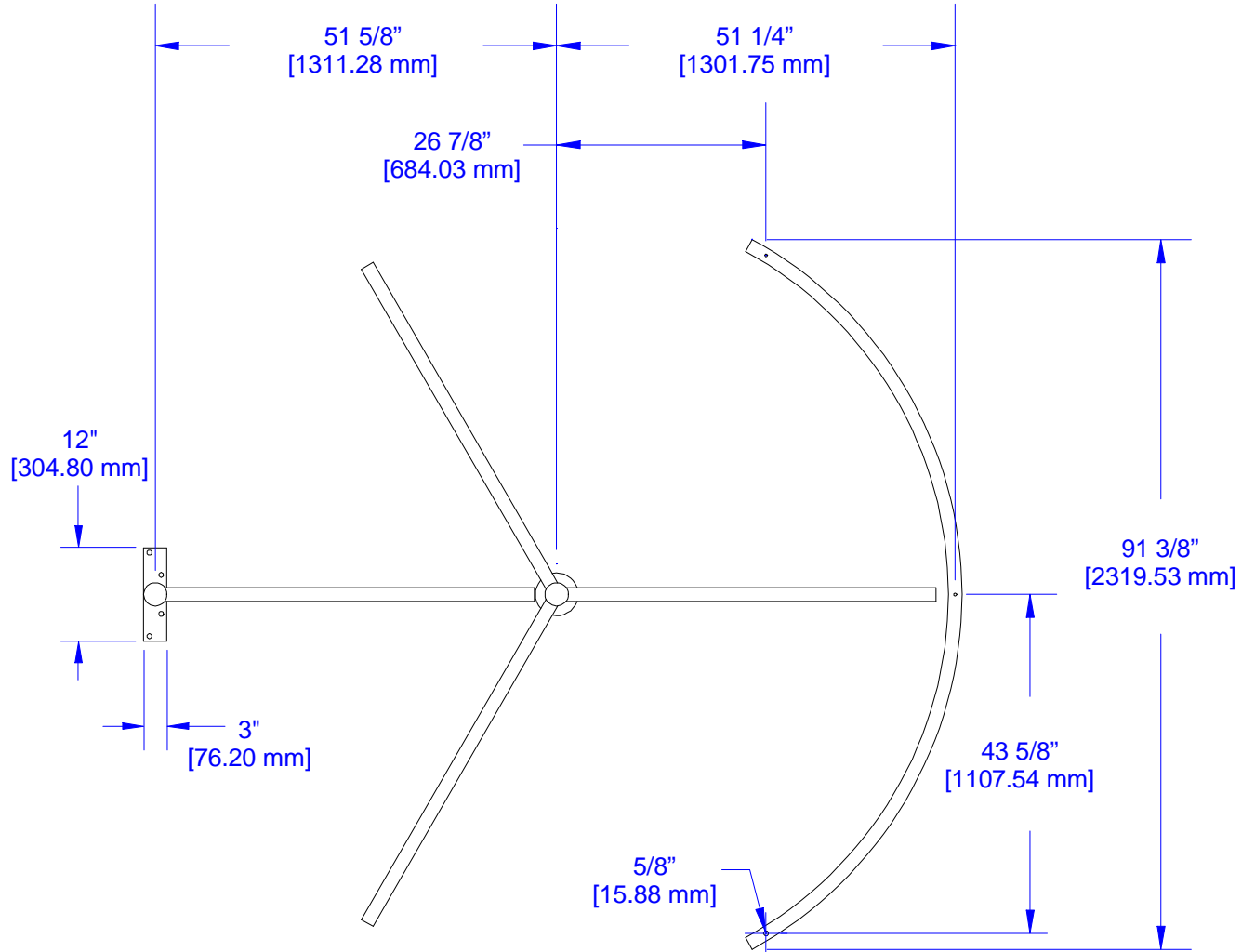


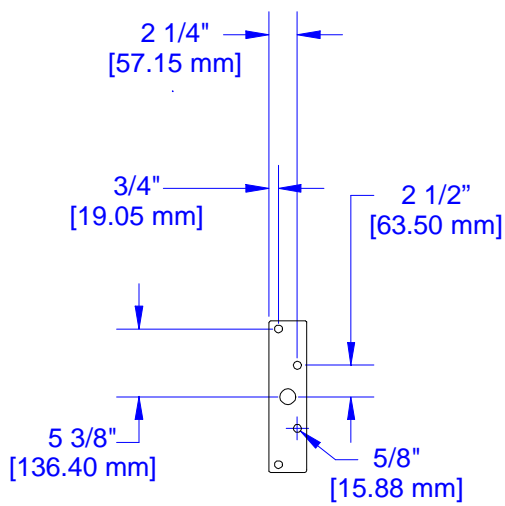
ELEVATION VIEW



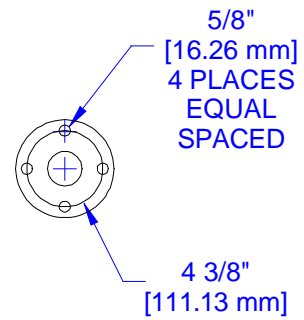
PLAN VIEW



ANCHOR PATTERN



OV BASE



ROTO BASE