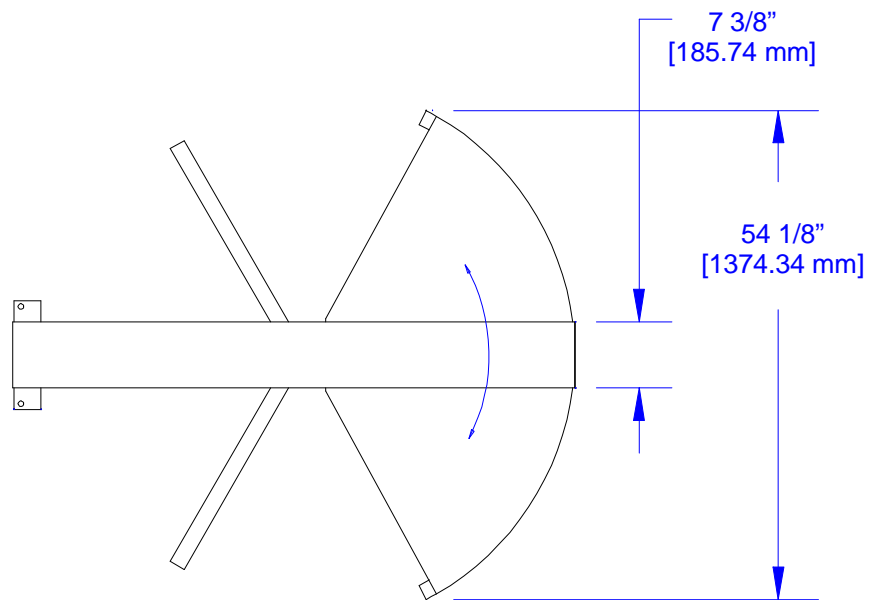


ELEVATION VIEW



PLAN VIEW

