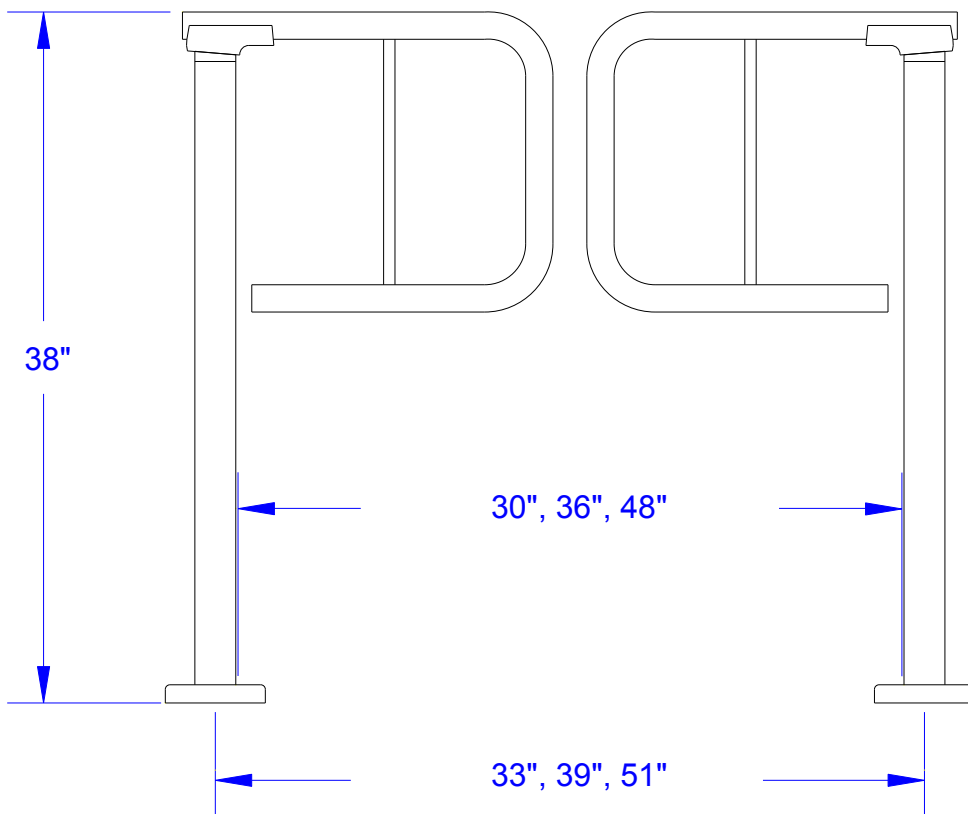


PLAN VIEW



ELEVATION VIEW