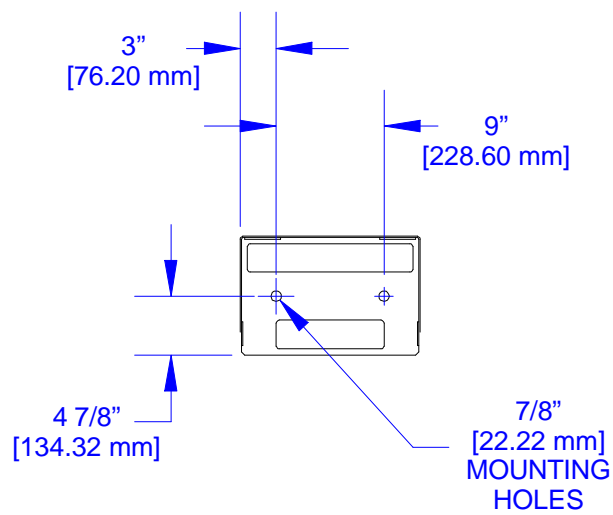


PLAN & ELEVATION



FOOTPRINT