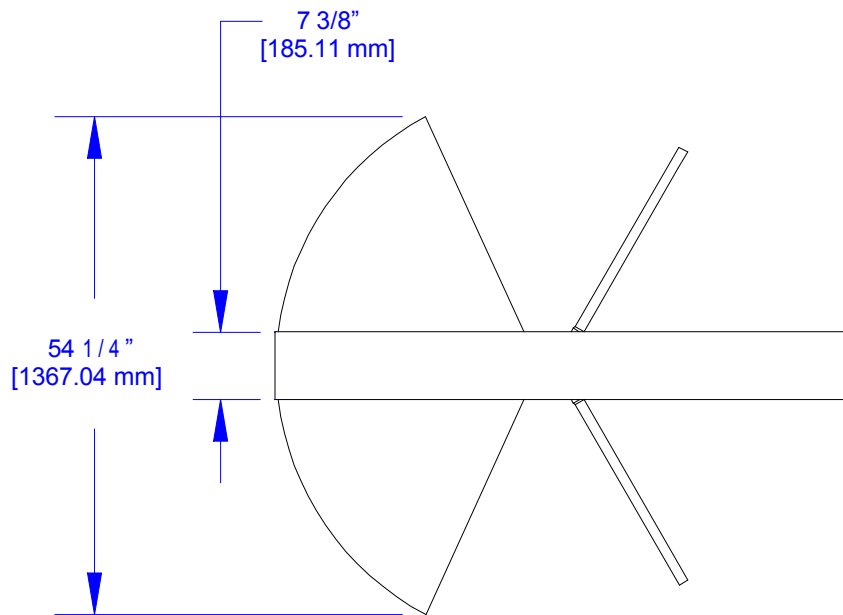
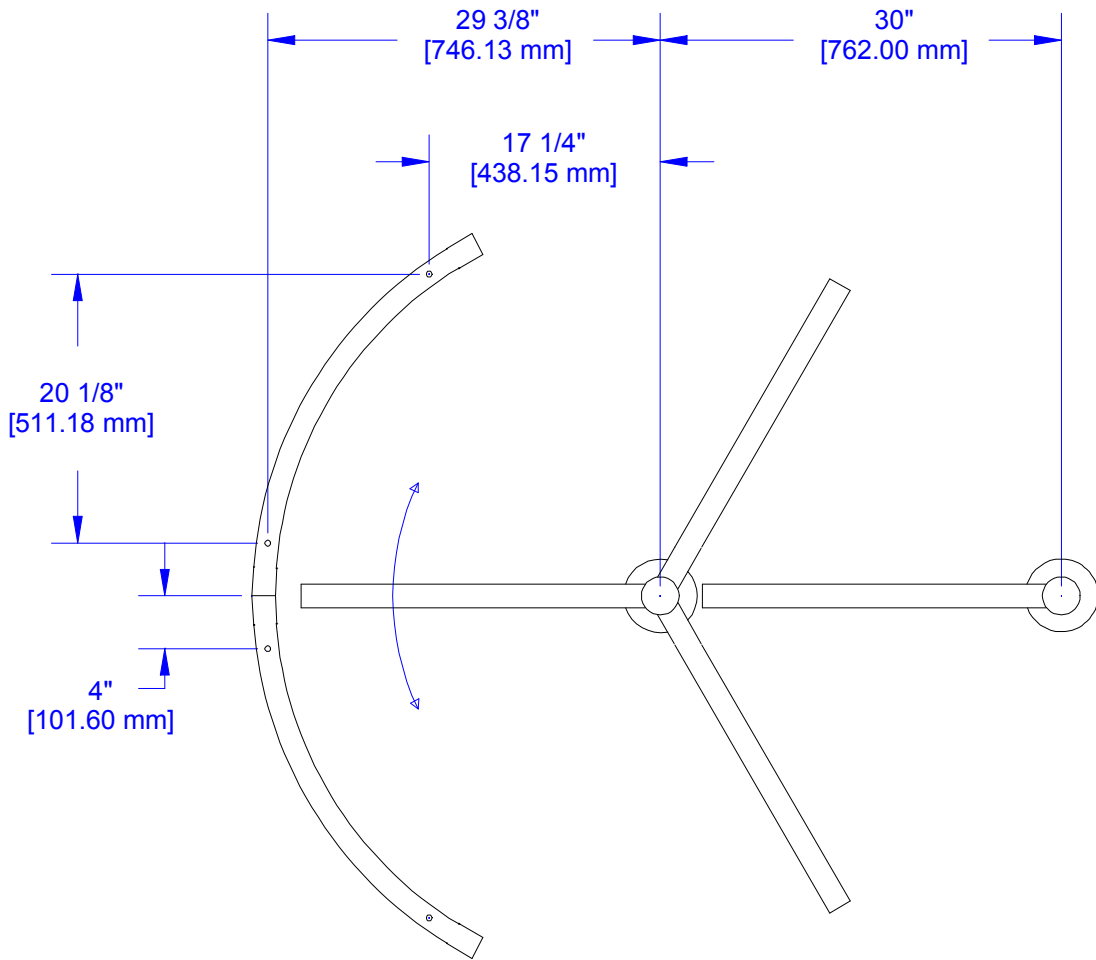


ELEVATION VIEW



PLAN VIEW



ANCHOR PATTERN

OV BASE / ROTO BASE

