

Model W

THREE ARM TURNSTILES

ALVARADO MFG. CO.

Alvarado's Model W turnstile is a three-arm, manual turnstile designed to provide one-way pedestrian traffic control in virtually any setting. Occupying half of the space as other four-arm turnstile models, Alvarado's Model W maintains a comfortable patron passage width.

Designed with a spring-loaded cam mechanism, Alvarado's Model W provides a comfortable, smooth arm rotation, without the annoying "backslap" found in other manufacturer's comparable turnstiles.

Each turnstile is mounted to a heavy-duty post with the 17" long arms welded into a steel head at 90 degree angles.

Model W turnstiles may be used with a post-mounted straight yoke, available from Alvarado. A space saving tandem configuration is also available.

Standard finish is high polish chrome, with satin stainless steel, and color powder coat finishes also available.



- ***Smooth, Spring-Loaded Arm Rotation***
- ***Space Saving, Post-Mounted Design***
- ***Comfortable Patron Passage Width***
- ***Tandem Configuration Available***

ALVARADO

DESCRIPTION

PRODUCT NAME

Model W - Three-arm, manual turnstile

APPLICATIONS

Provides single direction pedestrian traffic control utilizing minimum space

PRODUCT FEATURES

Materials and Operation

- Heavy gauge materials meeting appropriate ASTM standards
- One way clutch which can be inverted to reverse rotation direction
- Wide patron passage width
- Spring-loaded cam mechanism eliminates over-rotation
- Welded tube cap on each turnstile arm



Model W Turnstile
Shown With Optional
Post-Mounted Straight Yoke

Finishes

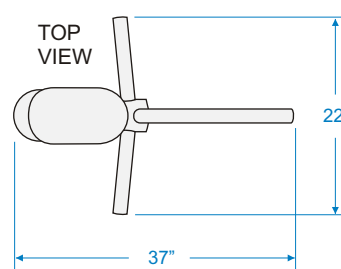
- Standard finish is high polish chrome
- Optional powder coat or satin finish are also available

Model W OPTIONS

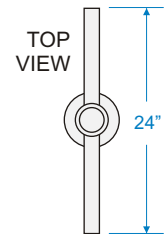
Tandem Configuration - (Model WJ) Utilizes space when two turnstiles are needed and space is limited.

WARRANTY

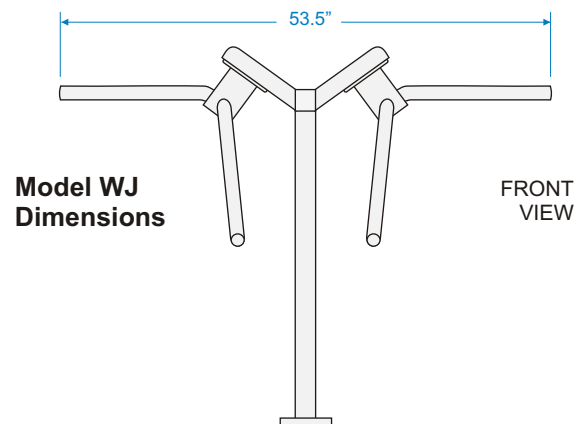
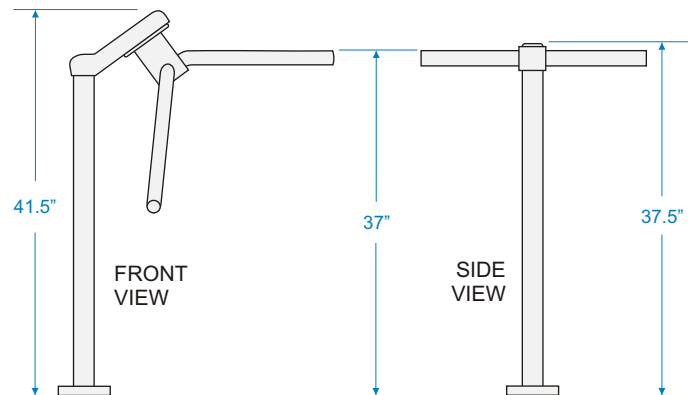
Alvarado's one-year written warranty applies to all products.



Model W
Dimensions



Optional
Straight Yoke



Model WJ
Dimensions

FRONT
VIEW