

# ALVARADO

## STANDARD MST TURNSTILE CARD READER MOUNTING PLATES

Revised - April 12, 2002

Alvarado's family of full height, maximum security turnstiles (MSTX, MST-TX, and MST47X models) are designed to interface with virtually any access control system or reader to provide controlled access into and out of high security facilities. In most applications, the card reader device is mounted on the yoke (or curved section) of the turnstile as shown in Figure 1.

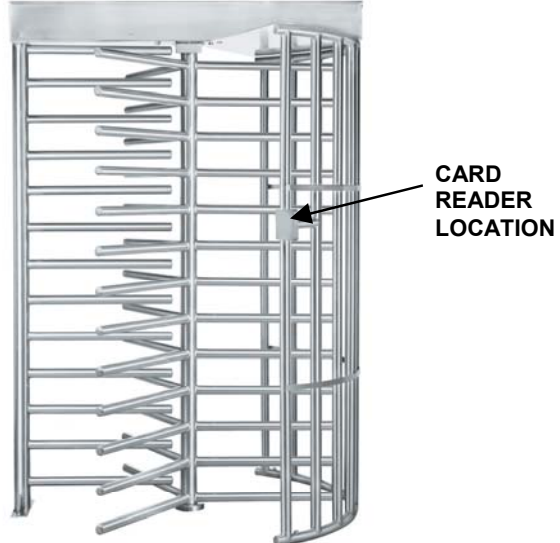
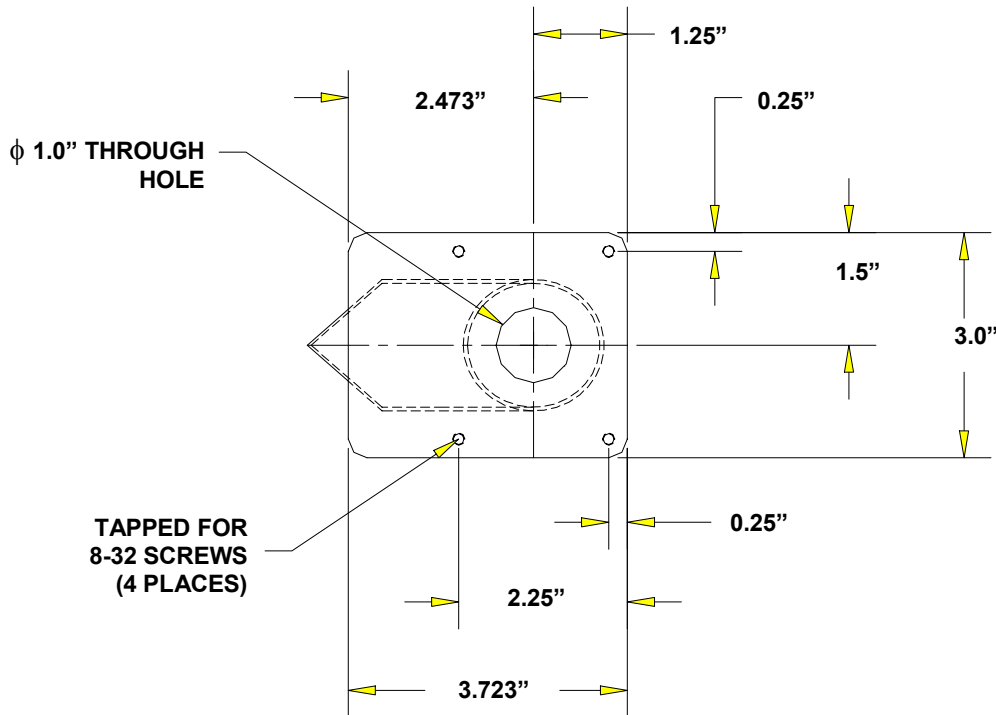


FIGURE 1

All of Alvarado's full height, maximum security turnstiles can be ordered with an optional Card Reader Mounting Plate(s). When this option is ordered, an Universal Card Reader Yoke Plate is notched and welded to the second vertical tube on the specified side(s) of the turnstile yoke section.

The Universal Card Reader Yoke Plate is positioned such that the centerline of the horizontal tube that connects the plate to the turnstile (as well as protects the wires coming out of the back of the card reader device) is 52" above the floor. The Universal Card Reader Yoke Plate (shown in Figure 2) is a fully welded assembly consisting of a 1 3/4" x 16-gauge cold rolled carbon steel (or #304 SS) tube and a 1/4" thick cold rolled carbon steel (or #304 SS) plate.

FIGURE 2: UNIVERSAL CARD READER YOKE PLATE



The Universal Card Reader Yoke Plate is designed to receive a secondary Card Reader Adapter Plate. The card reader device itself mounts directly to the Card Reader Adapter Plate. A 1/8" thick neoprene gasket with the same dimensions as the Universal Card Reader Yoke Plate shown in Figure 2 is included with each Card Reader Mounting Plate option ordered.

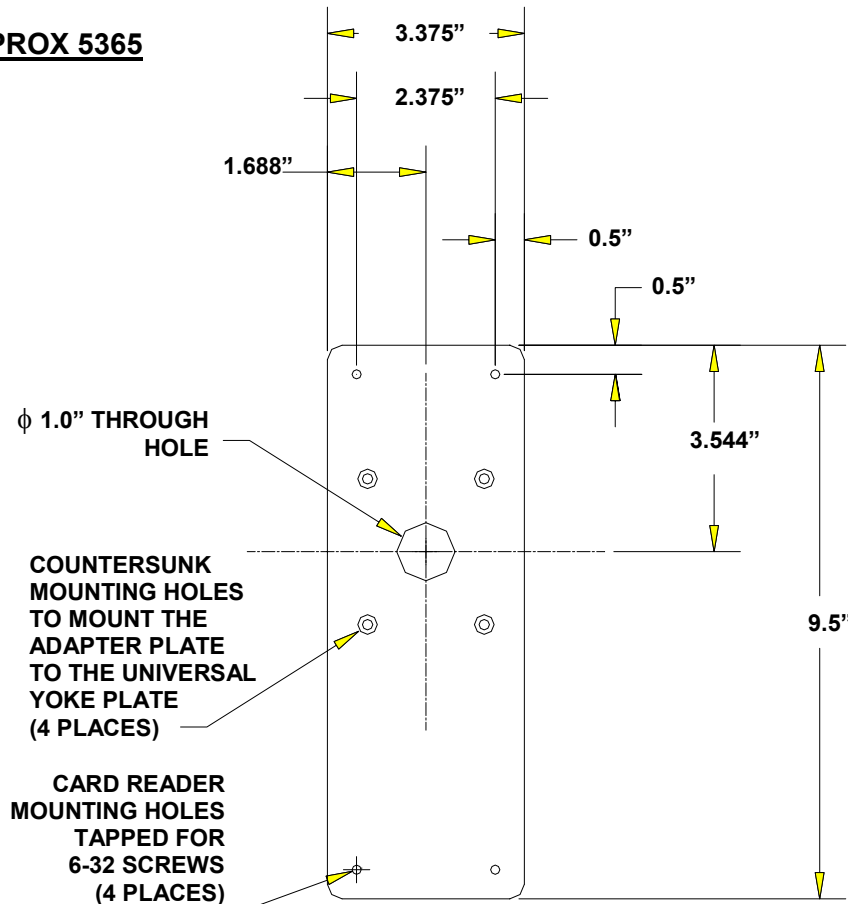
Alvarado offers Standard Card Reader Adapter Plates for the following card reader devices:

- HID Miniprox 5365
- HID 5355 Prox Pro
- HID 5395 Thinline II
- ASR 603 / ASR 605 Indala / Motorola
- Cardkey L40 Swipe Reader
- HID 314 Turnstile Wiegand Reader
- Generic 4" x 4" Adapter Plate – Note: Card Reader mounting holes are not provided on Generic Adapter Plates
- Generic 6 1/8" x 6 1/8" Adapter Plate – Note: Card Reader mounting holes are not provided on Generic Adapter Plates

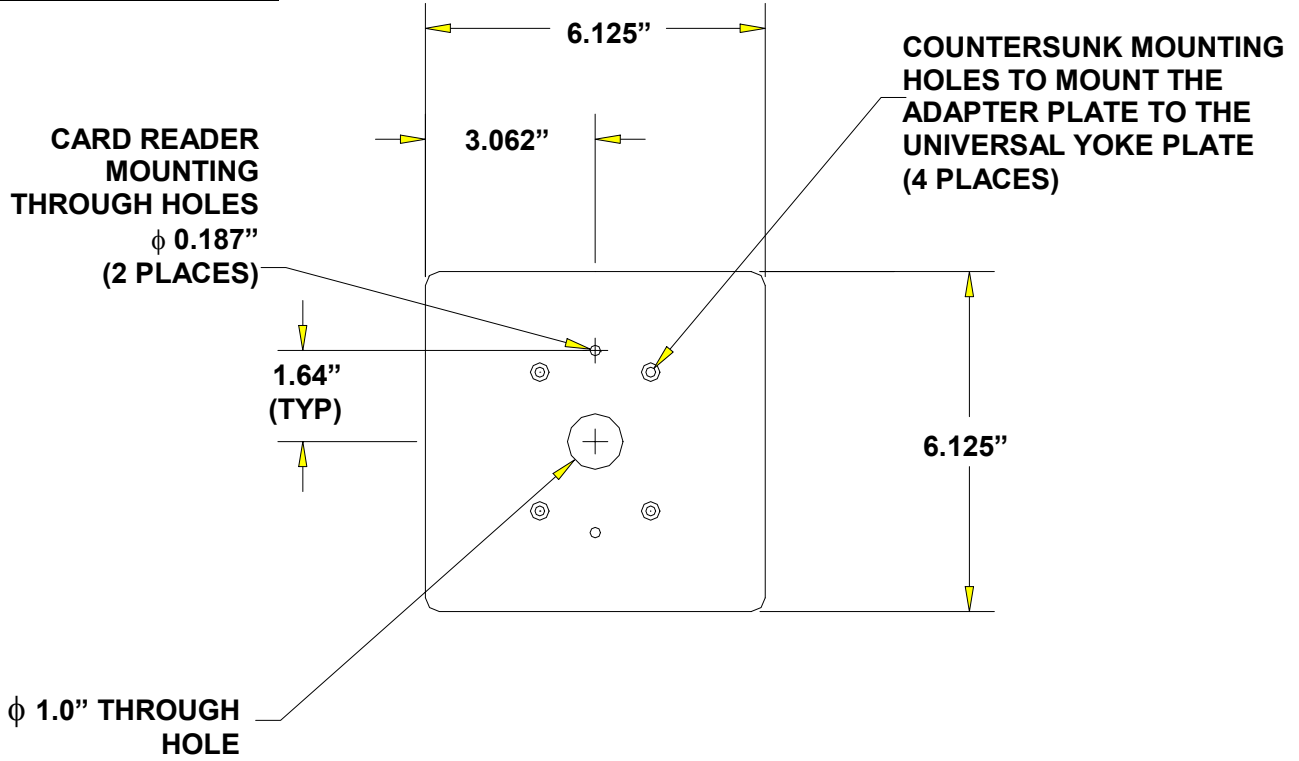
Please specify the type of Card Reader Adapter Plate required when ordering optional Card Reader Mounting Plates. Custom Card Reader Adapter Plates are available for an additional charge to accommodate card reader devices not included in Alvarado's Standard Card Reader Adapter Plate List.

The following are detailed drawings of each of Alvarado's Standard Card Reader Adapter Plates. Please note that the Standard Card Reader Adapter Plate List is subject to change without notice.

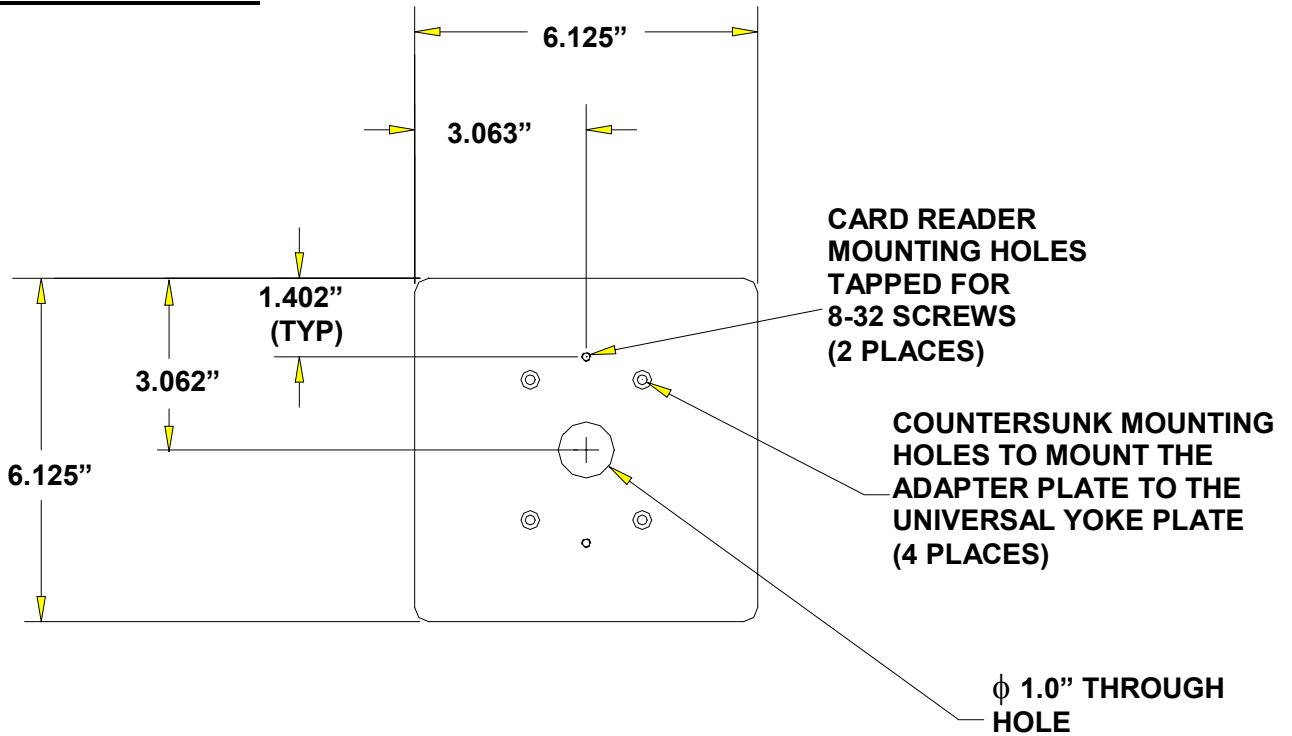
**HID MINIPROX 5365**



**HID 5355 PROX PRO**



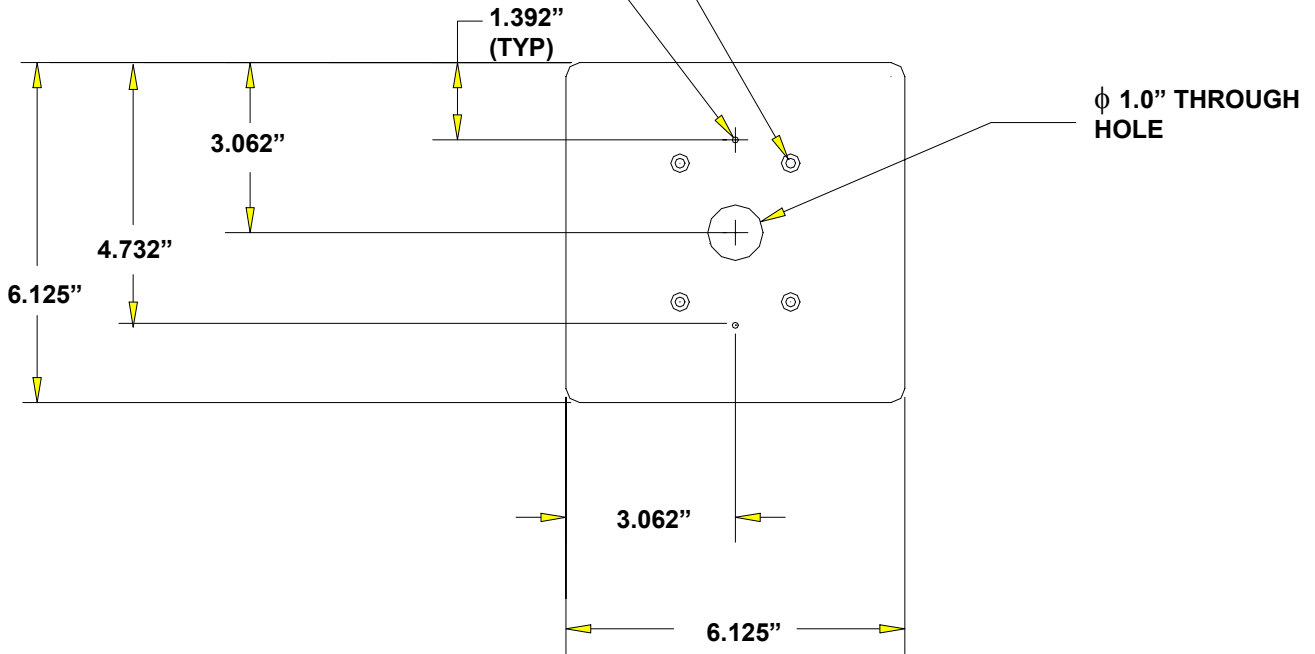
**HID 5395 THINLINE II**



**ASR 603 / ASR 605 INDALA / MOTOROLA**

COUNTERSUNK MOUNTING HOLES TO MOUNT THE ADAPTER PLATE TO THE UNIVERSAL YOKE PLATE (4 PLACES)

CARD READER MOUNTING THROUGH HOLES  $\phi$  0.107" (2 PLACES)

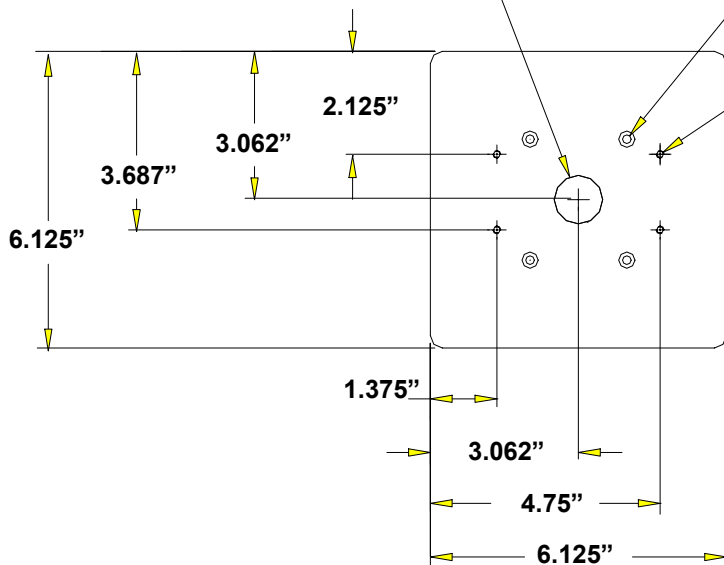


**CARDKEY L40 SWIPE READER**

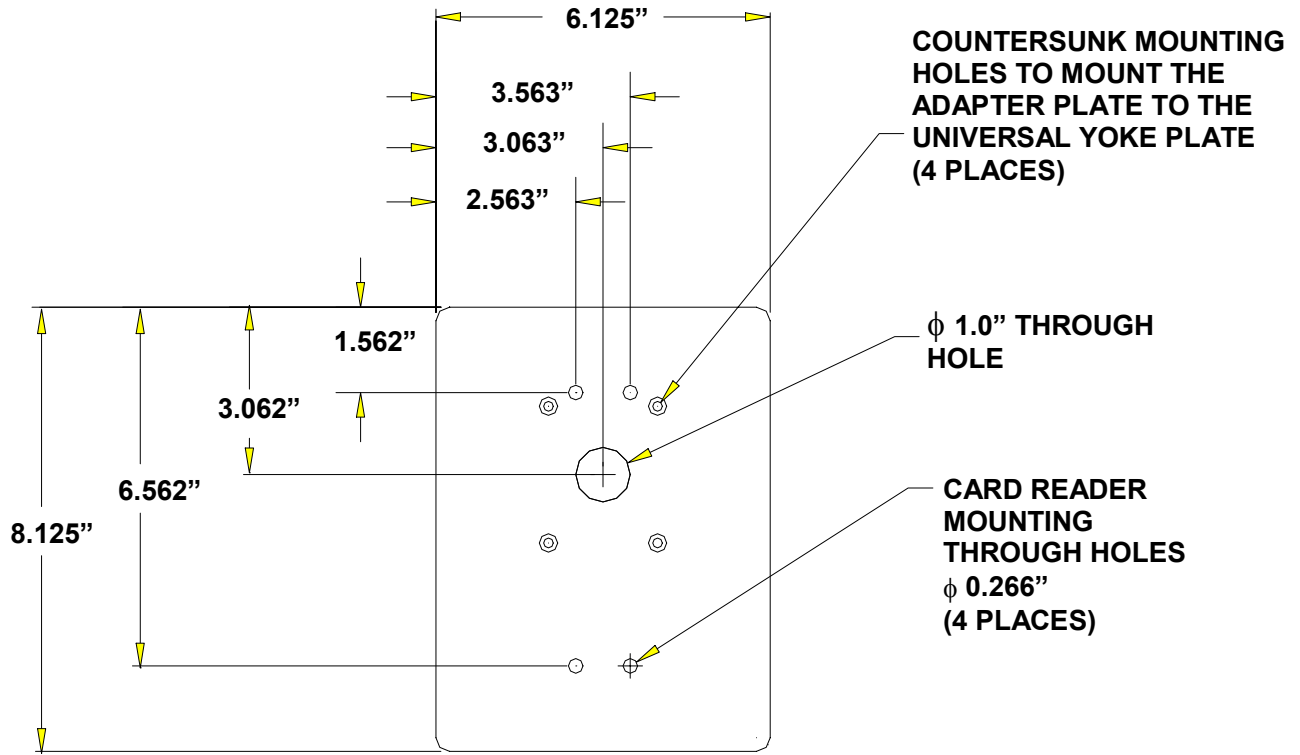
$\phi$  1.0" THROUGH HOLE

COUNTERSUNK MOUNTING HOLES TO MOUNT THE ADAPTER PLATE TO THE UNIVERSAL YOKE PLATE (4 PLACES)

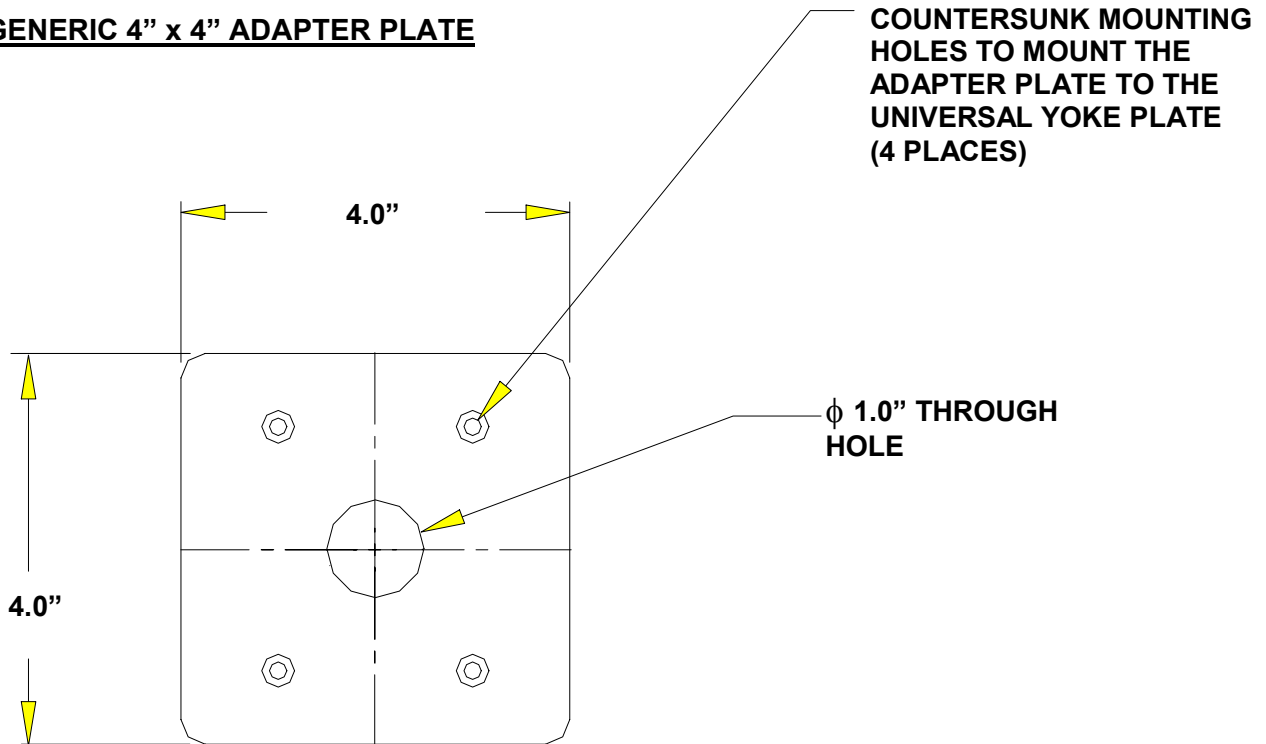
CARD READER MOUNTING HOLES TAPPED FOR 8-32 SCREWS (4 PLACES)



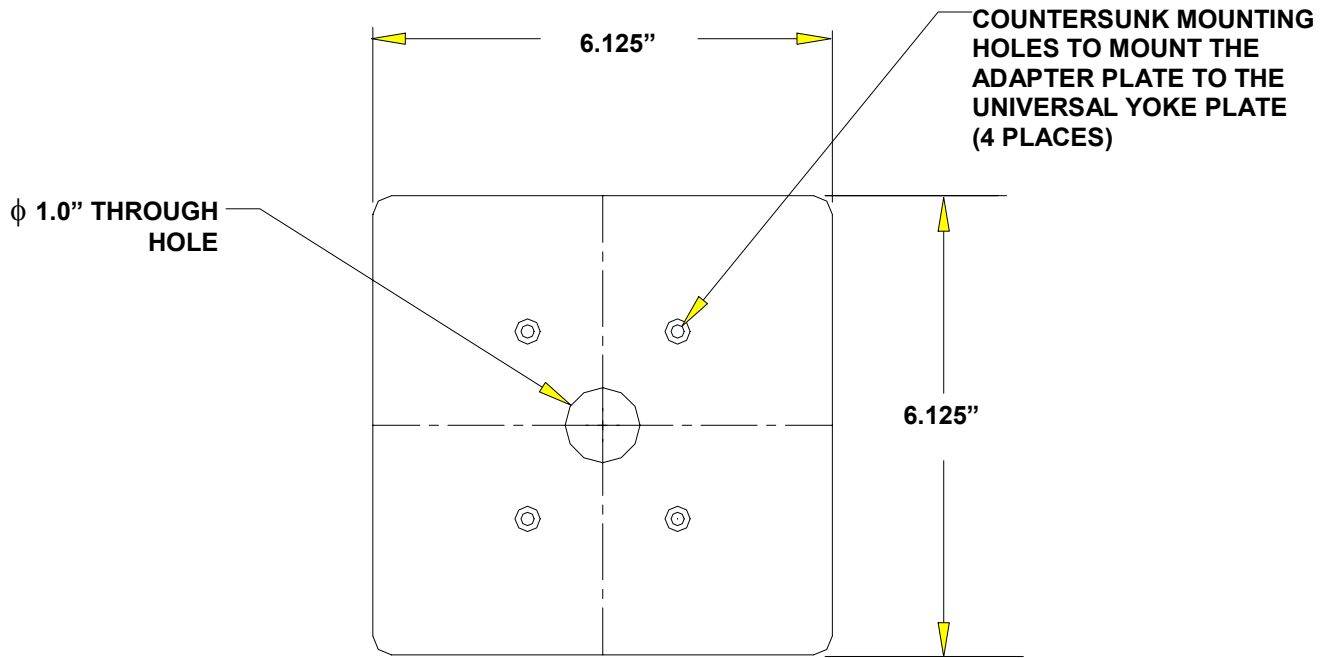
**HID 314 TURNSTILE WIEGAND READER**



**GENERIC 4" x 4" ADAPTER PLATE**



**GENERIC 6.125" x 6.125" ADAPTER PLATE**



**PUSH BUTTON DEVICES AND YOKE PLATES**

Alvarado’s full height, maximum security turnstiles can also be ordered with an optional Push Button Assembly. When this option is ordered, a Push Button Yoke Plate is added to the turnstile yoke section in the same fashion as the Universal Card Reader Yoke Plate shown in Figure 2. A stainless steel push button device that allows the user to unlock the turnstile for one passage is included with this option. This option is most commonly used in the exit direction of Model MSTX-6X units.

Alvarado offers two (2) Standard Push Button Yoke Plates, the PBT-080 and the PBT-090. There are two (2) Standard Push Button Devices for the PBT-080 and one (1) Standard Push Button Device for the PBT-090.

Please specify the type of Push Button desired when ordering. The following pages contain details on Alvarado’s Standard Push Button Assemblies and Push Button Yoke Plates.

**PUSH BUTTON ASSEMBLIES AVAILABLE FOR USE WITH THE PBT-080 PUSH BUTTON PLATE**

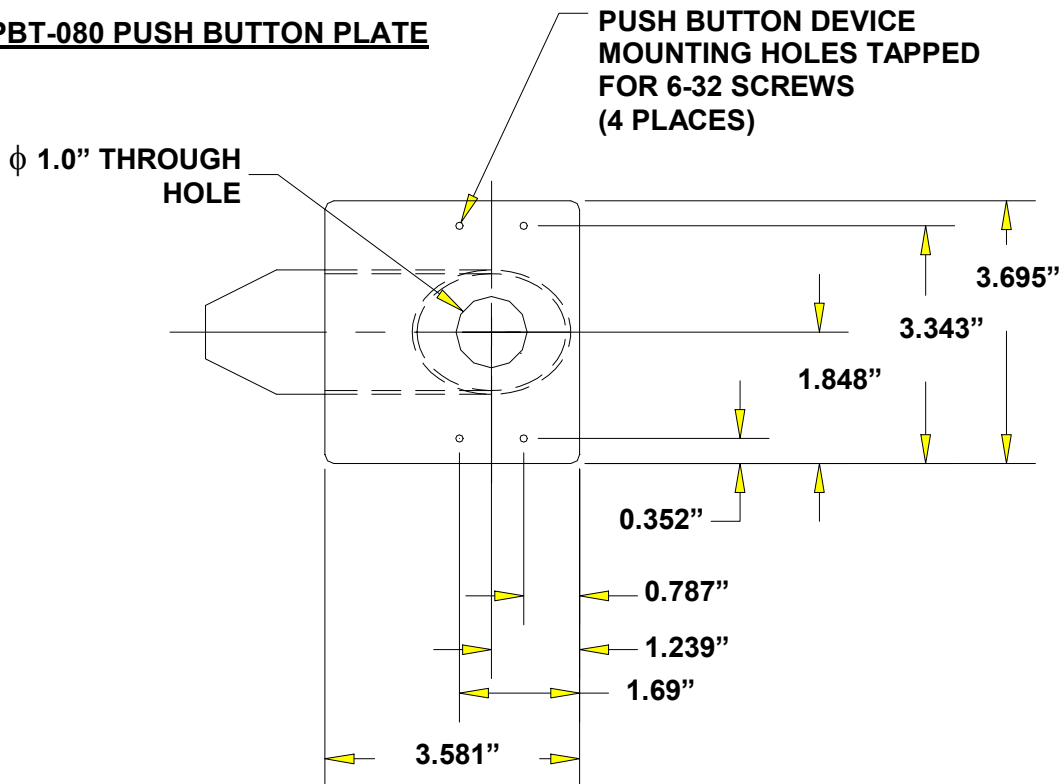


Part # 10-1422: Flush Stainless Steel Push Button assembly for use with PBT-080 Plate.



Part # 10-1424: Mushroom Push Button assembly for use with PBT-080 Plate.

**PBT-080 PUSH BUTTON PLATE**



**PUSH BUTTON ASSEMBLY AVAILABLE FOR USE WITH THE PBT-090 PUSH BUTTON PLATE**



Part # 10-1423: Flush Stainless Steel Push Button assembly for use with PBT-090 Plate.

**PBT-090 PUSH BUTTON PLATE**

