

Alvarado's durable CRI steel corner guards provide high-impact protection for valuable retail fixtures.

CRI corner guards feature classic, curved styling, and are suitable for use in most applications that require the high pullout rating of a fixed-anchored steel case protector.

The wide, wrap-around design of the CRI provides superior corner protection for refrigerated cases and other fixtures, versus traditional case protection posts.

Alvarado's CRI corner guards are constructed from heavy gauge steel, and are easily installed using three inside mounting tabs for secure, fixed anchoring in concrete. Anchor package is included.

The CRI comes in heights of 12", 16" and 24" to suit various case protection applications.

Model CRI steel corner guards are available in stainless steel with a satin finish, and may also be ordered in bright finish chrome.

- **Wide, Curved Design**
- **Heavy Gauge Steel Construction**
- **Fixed, Three Bolt Anchoring**
- **12", 16" or 24" High**
- **Satin Stainless Steel Or Bright Chrome Finishes**



ALVARADO

DESCRIPTION

PRODUCT NAME

Model CRI Corner Guards - Curved, steel case protectors.

APPLICATIONS

Suitable for use in retail stores and other applications. Used as high-impact protection for refrigerated cases and other fixtures.

PRODUCT FEATURES

Materials/Construction

- Heavy gauge materials - available in 12-gauge stainless steel or 7-gauge chrome plated steel
- Three anchor tabs are provided on the interior base for secure, fixed anchoring
- Anchoring package for installation on level concrete surface is included
- Comes in 12, 16 and 24 inch heights

Model CRI corner guards, shown in bright chrome finish.

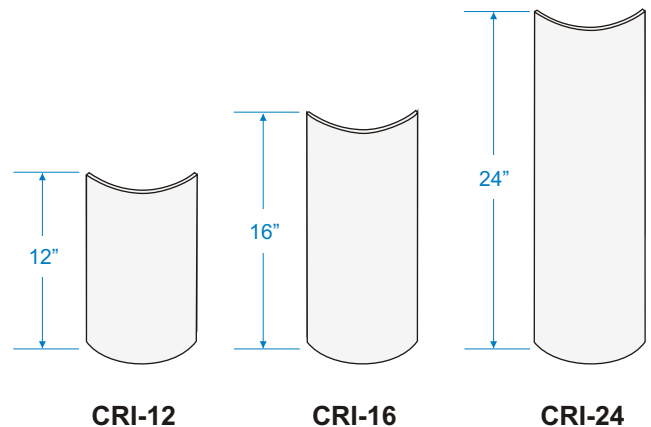


Finishes

- Available in #304 stainless steel polished to a #4 satin finish
- Also available in cold rolled chrome plated steel with bright finish

WARRANTY

Alvarado's one-year written warranty applies to all products.



Model CRI Dimensions

