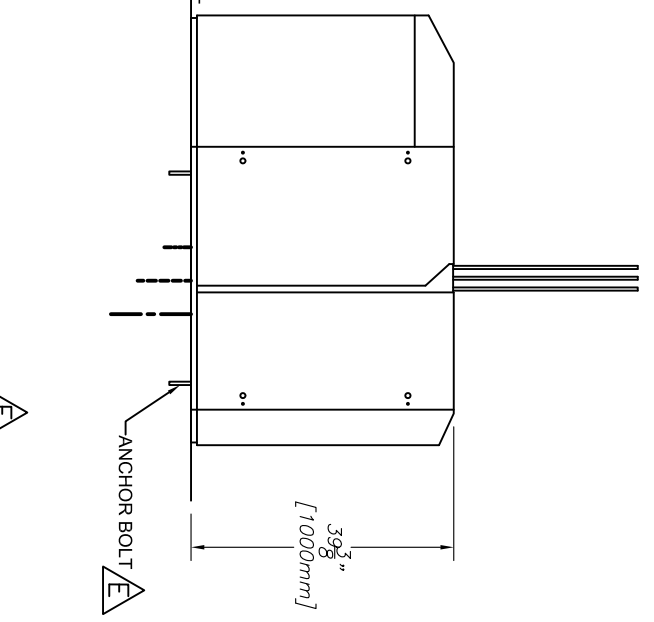
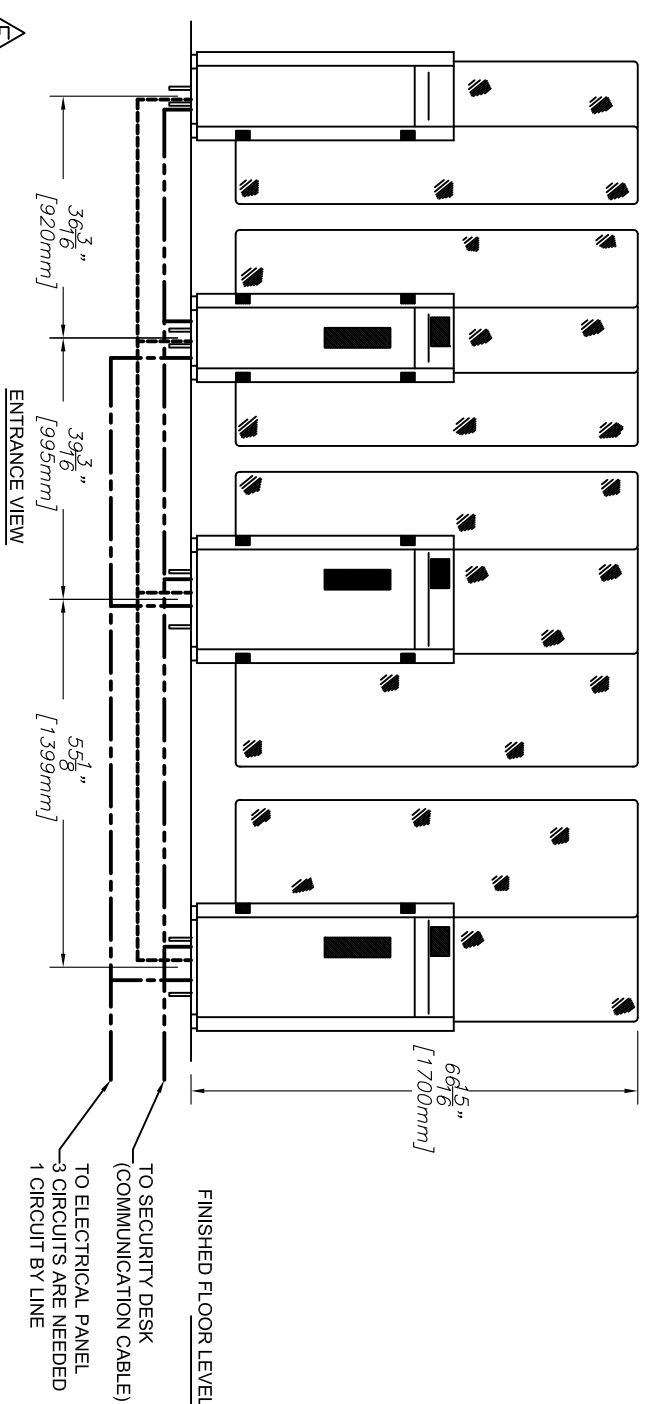


AREAS FOR CONDUIT PENETRATION SHOWN IN HATCH PATTERN



SEE NOTE A  
SEE NOTE B  
SEE NOTE C

- NOTES:
- ALL WIRING MUST MEET OR EXCEED STANDARDS. CODES AND MUST BE INSTALLED BY A CERTIFIED TECHNICIAN.
  - ANCHORAGE: FIXED WITH CLAMPS.
  - 1/2" X 5" ANCHOR BOLTS FURNISHED BY ASA. (DRILL SIZE  $\phi$ 1/2")
  - SEE DRAWING PNG-EL-01-EN FOR ELECTRICAL CONNECTIONS.

- A- SEPARATE POWER SUPPLY TO EACH RIGHT AND INTERMEDIATE GATE CABLE: 2 CONDUCTORS 14 AWG 117 VAC + GROUND  
CONDUIT: PVC 1/2" OR 3/4"
- B- CONDUIT: PVC 1/2" OR 3/4"

AUTOMATIC SYSTEMS AMERICA INC. MAKES NO REPRESENTATIONS AS TO THE PROPER POSITIONING OF THE OPTICAL PORTALS AT THE INSTALLATION LOCATION. ESTABLISHING THE PLACEMENT AND LAYOUT OF THE DEVICES AND DETERMINING COMPLIANCE WITH THE APPLICABLE BUILDING CODES, OTHER CODES, LAWS AND REGULATIONS IS THE SOLE RESPONSIBILITY OF THE PURCHASER. INSTALLATION MUST BE PERFORMED BY A QUALIFIED INSTALLER FOLLOWING MANUFACTURER'S INSTRUCTIONS OTHERWISE AUTOMATIC SYSTEMS AMERICA INC.'S WARRANTIES MAY BE VOID.

- CABLE NOTE:
- THIS WORK IS THE CUSTOMER'S RESPONSIBILITY.
  - 3' OF CABLE MUST REMAIN UNBURIED.
  - INSTALLATION OF A PULL CABLE BETWEEN EACH GATE IS RECOMMENDED.

- 1-COMMUNICATION CABLE  
CABLE: COMTRAN CORP. TYPE 7110 12 CONDUCTORS: 18 AWG
- 2-REMOTE CONTROL CABLE (IF OPTION SELECTED)  
CABLE: 12 PAIRS 18 AWG CMP/CPPL
- 3-MOTOR CONNECTION CABLE  
CABLE: BELDEN #29500 4 CONDUCTORS 16 AWG WITH OVERALL BRAID SHIELD. CONDUIT: PVC 1/2" OR 3/4"

MATERIAL/MATERIAL	FILENAME: PNG381-391-IN-01-EN.DWG	FORMAT	B
N/A	TRETTAMENT/TRETTAMENT		
FABRICATION	EBABER LES ARBRES VIVES BROK ALL SHARP EDGES		
Nb./App./PODS/WEIGHT	SURFACE	FIN/FINISH	
LES INFORMATIONS CONTENUES SUR LES DESSINS DE ASA INC. SONT CONFIDENTIELLES ET SONT LA PROPRIETE DE ASA INC. TOUTES REPRODUCTIONS, DISTRIBUTIONS OU UTILISATIONS SONT INTERDITES SANS LA PERMISSION ECRITE DE ASA INC.			
IMPERIAL	X/X ±1/32"	METRIC	X ±1mm
	X.X ±0.030"		X.X ±0.5mm
	X.XX ±0.015"		X.XX ±0.05mm
	X.XXX ±0.005"		X.XXX ±0.05mm
ANGLES	± 1/2 °		
	SAUF SI INDICUES		
	UNLESS OTHERWISE NOTED		

TITRE	INSTALLATION PNG-381 & PNG-391	REV.	E	DATE	2010/07/30	NOTES MODIFIED AND DIM ADDED.	GSY
DESIGNÉ PAR	J.S.	REV.		DATE	2006/11/24	MODIFICATIONS/CHANGES	PAR/BY
DRAWN BY	J.S.	REV.		DATE	2006/11/24		
VERIFIÉ PAR	SS	REV.		DATE	2006/11/24		
CHECKED BY	SS	REV.	E	DATE	2006/11/24		

