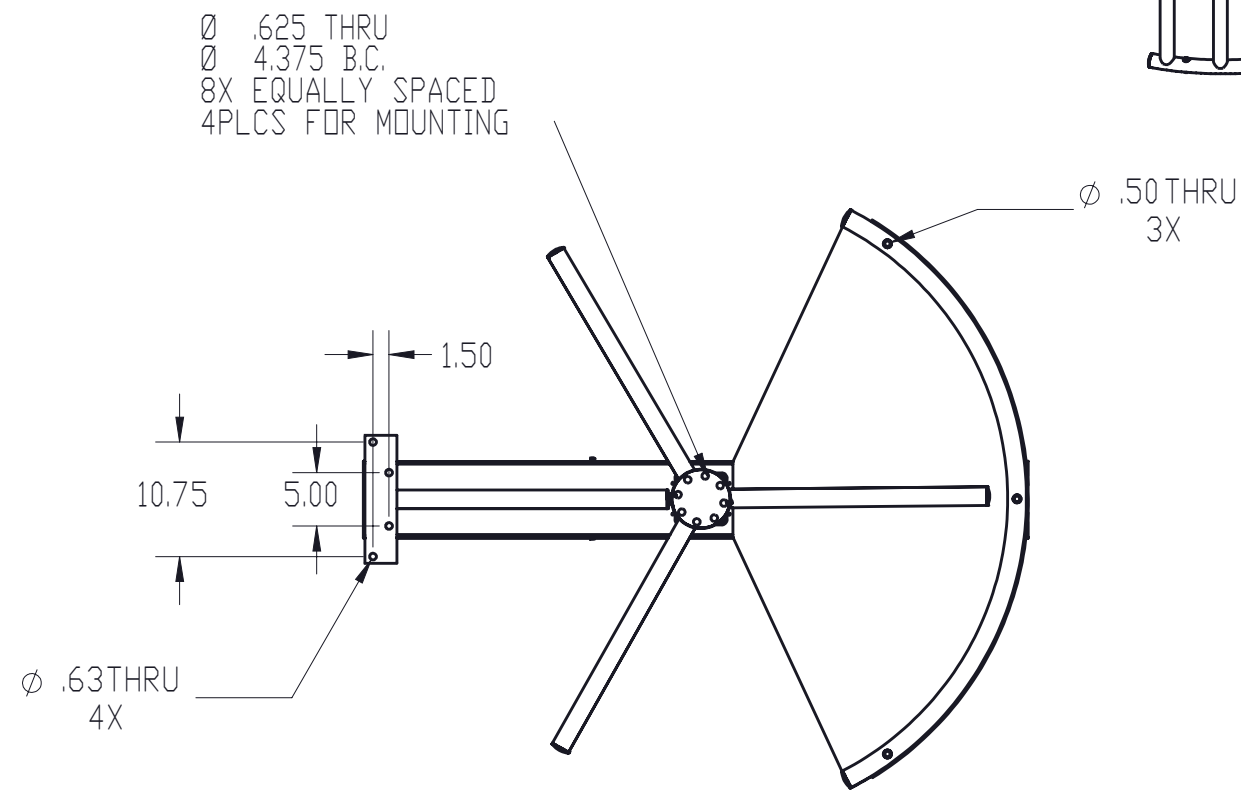
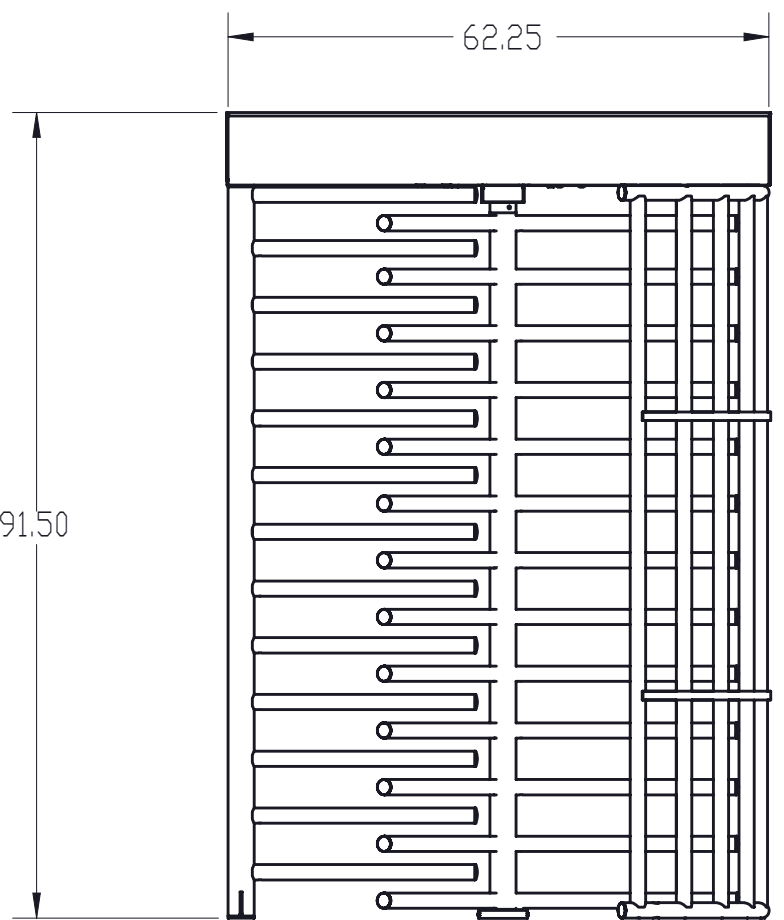
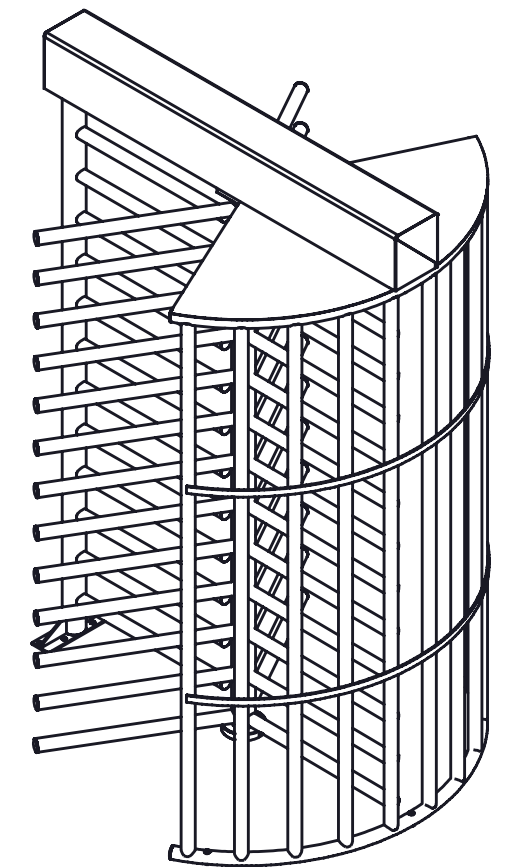
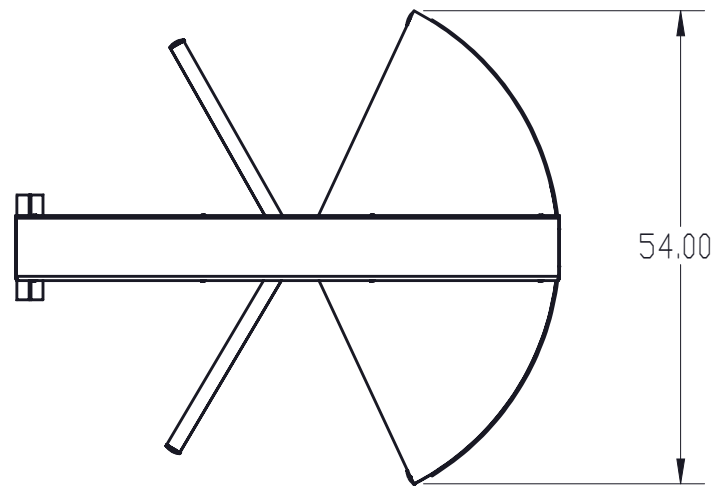


8 7 6 5 4 3 2 1

D  
C  
B  
A



NOTES:  
 1) ALL DIMENSIONS ARE APPROXIMATE  
 2) THESE DIMENSIONS ARE APPROPRIATE FOR ALL VERSIONS OF THE MST/MSTX

ENGR JB	
ALVARADO MFG.CO.INC. 12660 COLONY STREET, CHINO, CA. 91710	
PROPERTY NOTICE: NO USE WITHOUT PRIOR WRITTEN CONSENT	
MST/MSTX PLAN,ELEVATION & FOOTPRINT	
SIZE NUMBER	DATE
PEF-012	11/11/11
SCALE:	UNLESS OTHERWISE SPECIFIED DIMENSIONS ARE IN INCHES SHEET 1 OF 1

8 7 6 5 4 3 2 1