

CONTENTS

IMPORTANT SAFEGUARDS.....3

GENERAL INFORMATION.....3

SITE PREPARATION.....3

RECEIVING THE UNIT.....4

UNPACKING THE UNIT.....4

INSTALLATION DOs AND DON'Ts.....4

MOUNTING THE UNIT.....5

CLEANING.....5

ELECTRICAL.....6

VSD DRAWING - STUB-UP CONDUIT LOCATIONS.....

VSD DRAWING - REMOVAL OF TOP AND SIDE PANELS.....

ELECTRICAL WIRING DIAGRAMS.....

FOUNDATION DRAWING.....



The exclamation point within an equilateral triangle is intended to alert the user to presence of important operating instructions.


IMPORTANT SAFEGUARDS

“READ CAREFULLY”

1. Always disconnect power supply prior to servicing the unit.
2. ***Servicing - Do not attempt to service this unit yourself as opening or removing covers may expose you to dangerous voltage or other hazards. Refer all servicing to qualified service personnel.***
3. Heed Warnings - All warnings on the unit and in the operating instructions should be adhered to.
4. Replacement Parts - When replacement parts are required be sure the service technician has used replacement parts specified by the manufacturer or have the same characteristics as the original part.

GENERAL INFORMATION

Check to ensure that voltage to be used is the same, as that required for operation.

 **Important:** When servicing an electrical unit, always disconnect the power supply.


Upon completion of any service or repairs to this unit, ask the service technician to perform safety checks to determine that the unit is in proper operating condition.

SITE PREPARATION

1. Before installing the unit any location problems must first be corrected. The unit must be installed on a level surface and adequately supported to assure trouble-free operation.

If the site where the unit is to be mounted is without any foundation, it will be necessary to pour a concrete pad.

Refer to specific foundation drawing before pouring concrete. Be sure that pad is level and depth is below frost line, or as required by local conditions to ensure unit stability. ***Do not pre-set anchors!***

 **Important:** Pad sizes vary based on model type. Be sure to pour the concrete pad based on the foundation drawing for the specific model unit being installed.

2. Consistency of the concrete should be that of sidewalk grade to ensure long term survivability in your climatic conditions.**

**Allow concrete sufficient time to set-up before attempting to mount unit.

3. If the unit is to be mounted on an existing concrete surface, check to ensure the concrete is of sufficient depth and area to support the unit and meets the noted preparations and parameters.

RECEIVING THE UNIT

Carefully examine the unit prior to signing the carrier's receipt.

Dirt and film can be removed with a soft cloth and warm water.

Examine the condition of the carton. Should the top or sides to the shipping container appear damaged make sure to pay special attention to the contents of that specific container.

If there is any visible damage or the possibility of concealed damages, make sure to note this condition on the carrier's receipt.

If the damage appears as though it could be easily fixed by replacing a single part or simple touch-up it is OK to sign for as damaged.

Contact the Philips CSS Inc. Customer Service Representative at the factory for instructions on how to proceed.

UNPACKING THE UNIT

Carefully unpack the unit from its shipping carton. Remove the small carton secured to the unit and check to ensure that the following items have been received:

1. One cover removable tool.
2. Four Qwik bolt anchors. (per unit)
3. Any accessories that have been ordered.

INSTALLATION DOs AND DON'Ts

- DO..... Read all instructions thoroughly before proceeding with the installation.
- DO..... Pay special attention to all drawings when installing unit.
- DON'T... Service the unit without turning off the power.
- DON'T... Pre-set anchors

Caution

Improper installation WILL VOID all warranties on this product.

If you should have any questions or need more information, please contact our Technical Applications Department:

PHILIPS CSS, INC.
Access Control Hardware
7041 Orchard Street
Dearborn, MI 48126
Phone: (313) 846-2623
or (800) 338-3692
FAX: (313) 846-3569

MOUNTING THE UNIT

Each optical turnstile has been supplied with four (4) Qwik-bolt type anchors for securing the unit to its foundation. Do not pre-set the anchors.

1. Refer to enclosed drawings and remove top cover using tool supplied.
2. Refer to enclosed drawings and remove side panels to expose mounting holes and conduit location.
3. Position the unit where it is to be permanently located making sure the unit is level. If applicable check to ensure any and all conduits are located in the access space provided.
4. When the unit has been positioned correctly trace the mounting holes with a colored pencil or magic marker. After marking the holes move the unit and prepare to drill the mounting holes.



Important: Always wear safety glasses. Follow the drill manufacturer's safety instructions. Use only solid carbide drill bits meeting ANSI B94 diameter standards.

5. Using a 3/8 in drill bit, drill the hole perpendicular to the work surface. Do not ream the hole or allow the drill to wobble.
6. Drill the hole deeper than the intended embedment.
7. Clean the hole, a clean hole is necessary for proper performance of the anchor bolt.
8. Assemble the washer and nut on the anchor so that the nut protrudes slightly beyond the head of the bolt. Using a hammer tap the anchor into the newly drilled hole until the washer and nut rest solidly against the concrete floor.
9. Tighten the nut 3 to 5 turns past the hand tight position. Once the anchor is firmly secured loosen and remove the nut and flat washer from the bolt.
10. Repeat the above procedure for the required amount of anchors.
11. Reposition the unit over the anchors and assemble the washers and nuts onto the bolts. Check to ensure the unit remains level while tightening each anchor. Make sure the unit has been fastened securely to its foundation.

CLEANING

For best results always use a clean soft cloth for application of cleaners. Most glass and surface cleaners should be acceptable for cleaning the unit.

Caution

Do use any cleaning product containing ammonia.

ELECTRICAL

It will be necessary to provide both power and control wiring to each unit prior to operation.

The unit has been thoroughly tested prior to shipment. All portions of the electrical circuit were checked to ensure proper operation.

For ease of installation all electrical models are pre-wired as much as possible at the factory. A complete wiring schematic is located inside the unit housing. Make sure the wiring schematic remains with the unit.

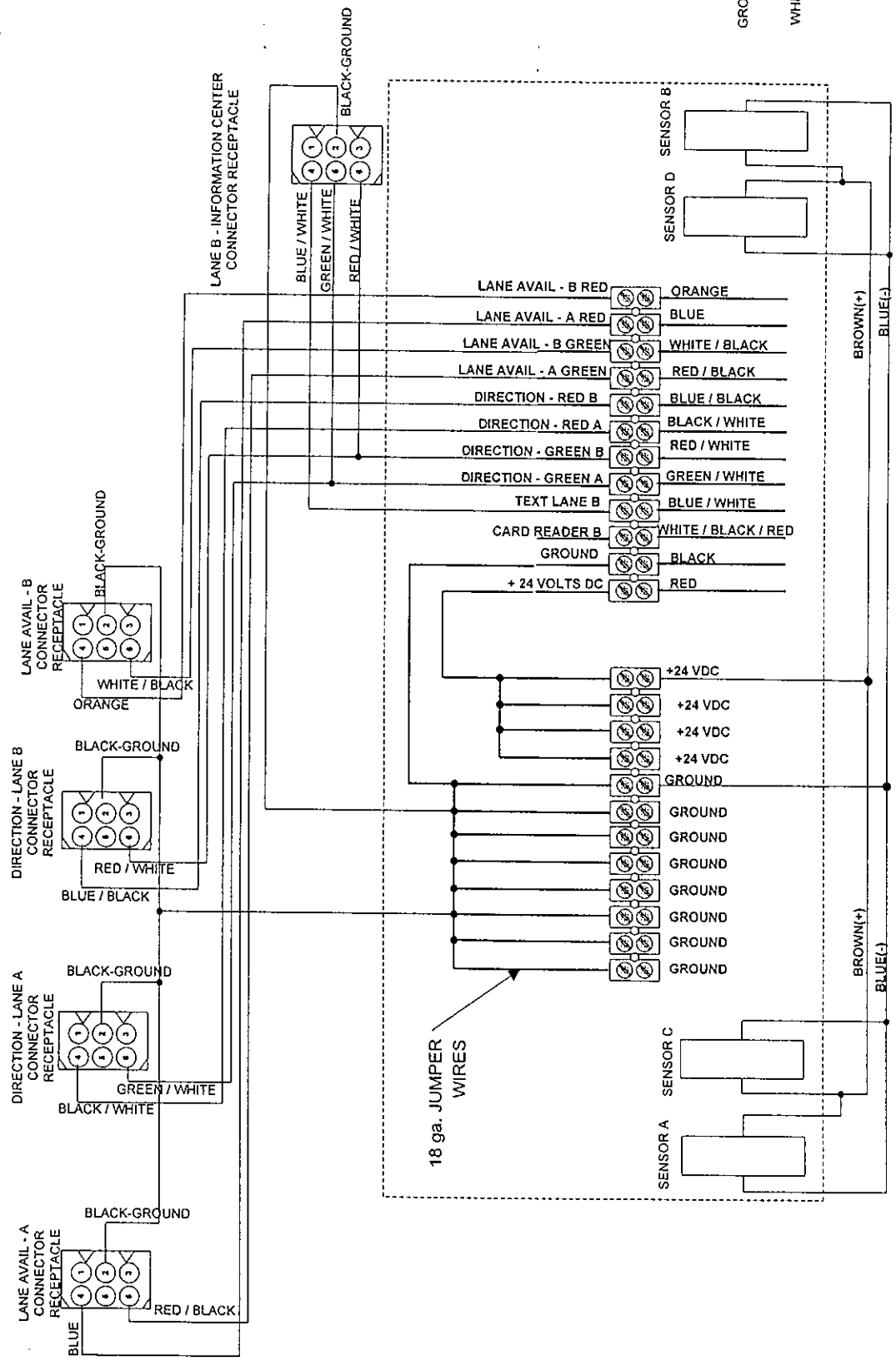
The power and control wires should be in separate conduits and brought up through the access spaces located in the bottom of the unit housing. Refer to enclosed wiring diagrams for point to point connection.

Dashed lines on the wiring diagram represent all field wiring. Make sure all connections from external devices are made to the correct terminal points.



Important: Make sure power supply is the "correct" voltage, phase and cycle.

CONTROLLED



ACCESS CONTROL HARDWARE DIVISION
7041 ORCHARD, DEARBORN, MI. 48126

PHILIPS



DRAWING TITLE:
SECOND (TRANSMIT) COLUMN WIRING - OPTICAL PASSAGEWAY

REV.	DESCRIPTION	DATE	BY

THESE DRAWINGS AND SPECIFICATIONS ARE THE PROPERTY OF AND PROPRIETARY TO PHILIPS INDUSTRIES, INC. AND ARE NOT TO BE DISCLOSED, REPRODUCED, COPIED OR USED AS THE BASIS OF MANUFACTURE OR SALE OF APPARATUS AND / OR DEVICES, OR OTHERWISE WITHOUT PHILIPS' PRIOR WRITTEN CONSENT.

PAGE
1 OF 1

REV.
0

DRAWING NUMBER:
71-101

